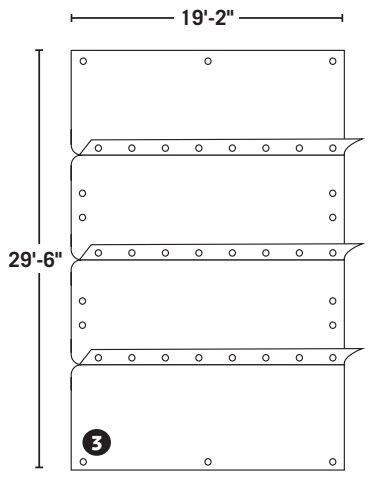
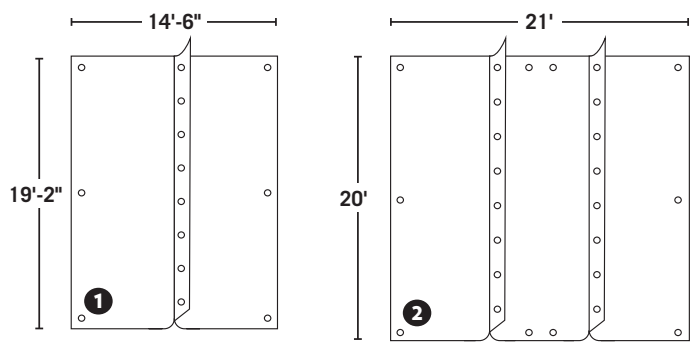
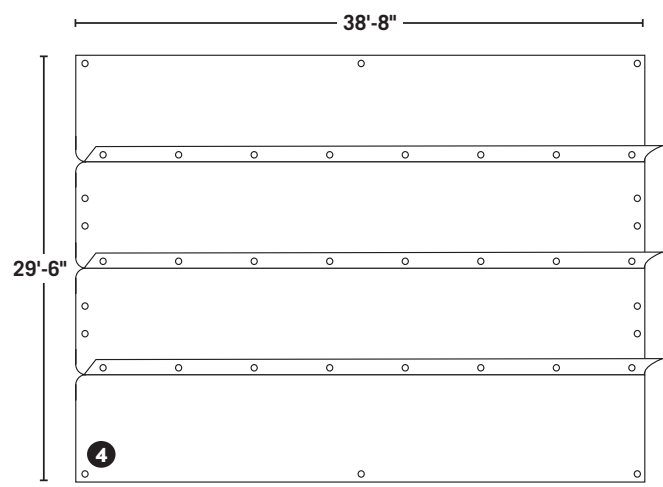


FIRE-RETARDANT TARP PRODUCT DIAGRAM

Mighty Tarp & Super FR Tarp Only*



- 1 15' x 20' 12 Grommets
20 D-Rings
- 2 21' x 20' FS 20 Grommets
24 D-Rings
- 3 20' x 30' -3 28 Grommets
28 D-Rings
- 4 40' x 30' -3 46 Grommets
40 D-Rings



* Due to manufacturing allowances, slight variations may appear. The user must determine suitability and proper installation.